


QTFX-F1/F2

Flame Effect User Manual

160.470UK & 160.471UK

QTFX-F1/F2 Flame Effect – For indoor use only

 <p>Caution! Please read this manual carefully before operating! Damage caused by misuse is not covered by the warranty!</p>
--

1. General Introduction :

Really heat up your party with this mesmerising flame effect. Reaching up to a height of 1.5m, the silk flame flutters in the air whilst lit up with a combination of 10mmØ LEDs, giving the appearance of a hot flame. It is low maintenance and quick to set up, making it perfect for event and hire companies or as a permanent fixture on stage.

Features :

- Reaches up to a height of 1.5m
- Red and blue 10mmØ LED (QTFX-F1)
- RGB Colour mixing (QTFX-F2)
- High speed fans
- Replacement silk flames available (Ref: 160.472UK)

15. Technical specification :

	QTFX-F1	QTFX-F2
Power supply	230Vac, 50Hz	
Fuse	F5A	
Power consumption	60W	
Light Source	36 x 10mmØ (R:32, B:4)	(36 x 10mmØ (R:12, G:12, B:12)
DMX Channels	N/A	6
Max flame height	1.5m	
Dimensions	530 x 230 x 360mm	
Weight	12kg	

13. Disposal :



Please disposal of the unserviceable device according to the current statutory requirement

Copyright protected by QTX Light Ltd

14. DMX Operation for QTFX-F2:

DMX Channel	DMX Value	Function
1	000-255	Red Colour 0-100% Dimming
2	000-255	Green Colour 0-100% Dimming
3	000-255	Blue Colour 0-100% Dimming
4	000-255	RGB Colour change
5	000-255	Strobe Slow to Fast
6	000-255	Overall Dimmer

2. Package Contents :

Please check the contents to ensure that the product has been received in good condition.

QTFX-Flame effect x 1pcs	User's Guide x 1pcs	Power Cord x 1pcs
--------------------------	---------------------	-------------------

If you find any accessory is missing or the machine has arrived with any problems, please contact your local dealer at once. Do not try to fix this item yourself or you will lose the warranty. Please keep the original package and invoice for any possible replacement or returned demand.

3. Setup :

1. Unpack the Flame machine and place in a safe location where it will not be tampered with.
2. Unwrap the silk flame and place in to the slot between the LEDs.
3. Plug in the supplied IEC power lead.
4. Turn the power switch on and the LEDs will light up, fans will start to blow and the silk flame will start to rise.
5. For the QTFX-F2 model read section 13 about the digital controls and DMX options.

5. Installation advice :

The fixture may be placed anywhere on a stage or in a display providing nothing obstructs the front of the machine, fan or vents pathway.

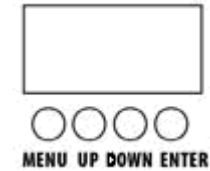
Never install in places where the fixture will be exposed to rain, high humidity, extreme temperatures changes or restricted ventilation.

6. Caution! To prevent Mortal Electrical Risk and Long Life Operation :

For your safety, please kindly pay attention to all of the warnings listed below:

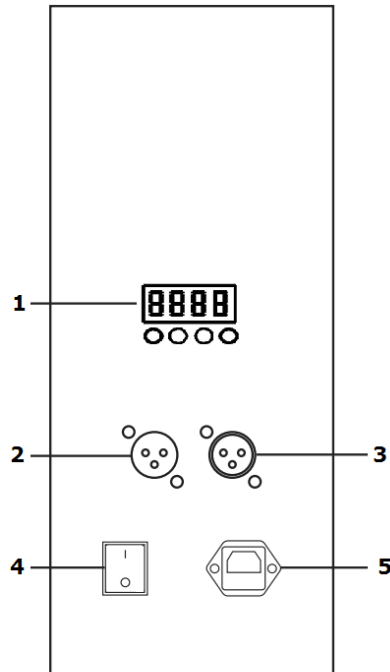
- Always plug in the power plug last and disconnect from the mains when the device is not in use or before cleaning.
- Do not install and operate the device in rain or extreme heat, moisture or dusty environments.
- This device is for indoor use only and in a dry environment.
- Do not switch on immediately but wait until it reaches to room temperature if the device has been exposed to drastic temperature fluctuations.
- Do not shake the device and avoid brute force when installing or operating
- Do not use the device during thunderstorms and please disconnect the power.
- Do not use solvents or aggressive detergent to clean the device. Use a soft and clean cloth.
- Do not modify the device or the connected power cord without authorisation.

13. Operation for QTFX-F2:



LED Display	Secondary Display	Action
ADDR	A001 - A512	Set DMX Address
SHnD	SOU n	Sound to light mode
	COL r	Colour change
	FAdE	Slow colour changing pattern
	AUTO	Auto mode. The colour automatically
CHND	1 Ch	DMX Mode single channel
	6 Ch	DMX mode 6 channel
SLND	SL 1	Slave mode 1
	SL 2	Slave mode 2
	N OFF	Master off
	NAST	Master mode
LED	ON	Turn the LEDs ON/OFF
	OFF	
LDSP	On	LED Display on/off
	Off	
BALA	red	Manual Mode for setting one static colour
	GrEE n	
	Blue	

12. QTFX-F2 Layout:



- 1. DMX DIP Switch addresses
- 2. DMX IN
- 3. DMX OUT
- 4. POWER ON/OFF
- 5. IEC POWER IN

7. Connect with power supply - The ground wire must be connected :

Use the plug to connect to the main power supply as following.

Wire	Connection	International signal
Brown	Live	L
Blue	Neutral	N
Yellow /Green	Earth	

8. Quick Trouble Shooting :

If the unit is not functioning properly

- 8.1 Check if main power is on and fuse hasn't blown
- 8.2 The remote control is plugged in correctly in to the socket
- 8.3 Check there is fluid in the tank
- 8.4 Check that the pipe is pushed down to the bottom of the tank
- 8.5 Check the correct fluid has been used.

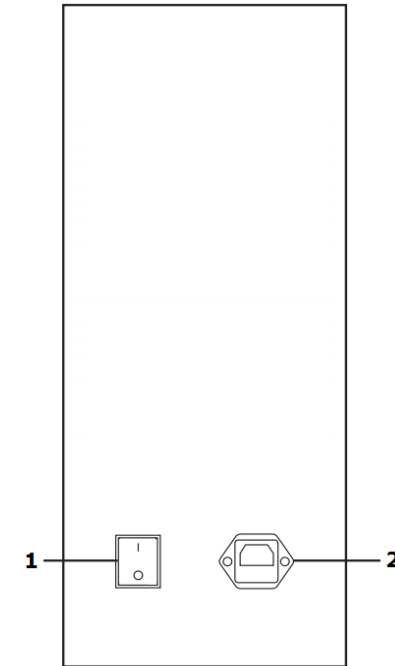
9. Replacing Fuse :

Disconnect from the main power supply first, then remove the fuse holder above the IEC Socket to reveal the fuse. Replace the correct fuse rating as stated on lighting or user guide. Then, lock the fuse holder cover back into place.

10. General Maintenance :

To maintain optimum performance and minimize wear, the item should be cleaned frequently. Usage and environment are contributing factors in determining frequency. As a general rule, fixtures should be cleaned after use to avoid dust build-up and blockages, which can result in poor performances, overheating and breakages. Be sure to power off fixture before conducting maintenance.

Unplug fixture from power. Use a vacuum or air compressor and a soft brush to remove dust collected on external vents and internal components. Clean the external case when the fixture is cold with a dry cloth or tissue, and drag dirt and grime to the outside case.

11. QTFX-F1 Layout:

1. Power ON/OFF
2. IEC Power IN/OUT